

# Enware Purus Hands Free Sensor Tap - Single Temp. 6V Battery - Matte Black PVD

High in quality and easy to use, the Enware Purus combines advanced electronic auto-focus technology with sleek yet robust design. Featuring a smooth and durable Matte Black PVD finish, providing an attractive design choice for all commercial Hands-Free washroom applications.

## KEY FEATURES

- Smooth and durable Matte Black PVD finish fits perfectly with modern design colour palettes
- Auto-focus infrared sensing technology with triangulation for a more consistent, reliable operation
- Improved user friendliness with intelligent activation and after-flow technology
- Integral isolation valve to speed up on-going servicing and maintenance
- Electronics have IP67 rated protection against water and humidity ingress
- High reach spout to aid handwashing
- 12V Mains supply or 6V battery operated models
- Robust basin fixing -ideal for high traffic or vandal prone applications
- Lead free brass
- Supplied with WELS 6 Star (5.5lpm) water efficiency rating as standard
- Sensor can be programmed on site for various functions: intelligent after flow of 1, 2, or 8 sec, periodic flush every 24hr or 72hr, and reduced sensitivity mode (via App.)



## PRODUCT CODE

ENM8250MB

Enware Purus Hands Free Sensor Tap -  
Single Temp. 6V Battery - Matte Black PVD



Due to ongoing Research and Development, specifications may change without notice.

Component specifications may change on some export models.

Refer to warranty statement for warranty details - [www.enware.com.au/warranty](http://www.enware.com.au/warranty).

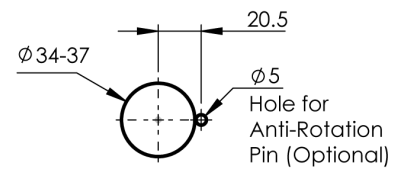
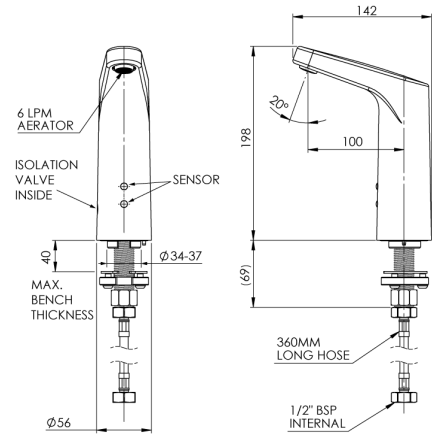
Products are to be installed in accordance with the Plumbing Code of Australia and AS/NZS3500.

Reference should also be made to the Australasian Health Facility Guidelines (AHFG), ABCB and Local Government regulations when considering the choice of, and the installation of these products.

# Enware Purus Hands Free Sensor Tap - Single Temp. 6V Battery - Matte Black PVD

## TECHNICAL DATA

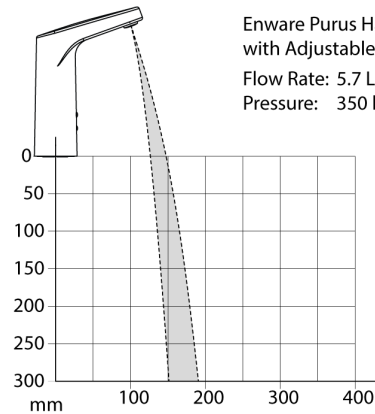
Inlet Connection	1/2" BSP PEX Connector
Working Pressure Range	100 - 500 kPa
Maximum Operating Temperature	70°C
Standard WELS Flow Rate	5.5 L/min
Sensor Range	Optimally preset using Auto-Focus technology
Maximum Flow Time	2 minutes per activation (adjustable)
Power - Battery	6V Lithium 2CR5 battery Battery life guide: 4 ± 1 years
IP Rating	IP 67



Installation Detail  
(Benchtop Cut Out)  
Please check anti-rotation pin position before installation as orientation may vary.

(Not to Scale)

## Water Flow Projection



Enware Purus Hands Free Sensor Tap  
with Adjustable Angle Aerator  
Flow Rate: 5.7 L/min Laminar  
Pressure: 350 kPa