

Type 45 Upright Fountain with Rubber Guard

Installation and Maintenance Instructions

BUB234RC



technical data

Inlet Connection	1/2" BSP (15mm)
Recommended Working Pressure Range	100 - 500 kPa
Flow Rate	2 L/min (Adjustable)
Recommended Temperature Range	5 - 30 °C

Enware products are to be installed in accordance with the Plumbing Code of Australia (PCA) and AS/NZS3500. Installations not complying with PCA and AS/NZS 3500 may void the product and performance warranty provisions.

Reference should also be made to the Australasian Health Facility Guidelines (AHFG), ABCB and Local Government regulations when considering the choice of, and the installation of these products.

This product must be installed and commissioned by a qualified plumber.

For use with potable water only.

NOTE: Enware Australia advises:

1. Due to ongoing Research and Development, specifications may change without notice.
2. Component specifications may change on some export models.

I00574_20 Jan 2024

1300 369 273 | info@enware.com.au | enware.com.au

ENWARE
A WATTS Brand

installation

Ensure all supply lines are flushed thoroughly to remove debris prior to the installation of this product. Strainers (40 mesh) are recommended if debris is an ongoing problem.

A pressure reduction valve may be required to comply with the recommended maximum supply pressure requirements.

INSTALLATION PROCEDURE

1. Prepare a 1/2" BSP male, allowing for 13mm of thread to protrude from the mounting surface. **SEE IMAGE 01**
2. Apply thread sealant to the thread connection. Screw bubbler onto the inlet thread using a spanner on the hex of the bubbler body. **SEE IMAGE 02**
3. Turn water on and check the threaded joint for leaks. Test operation of the tap.
4. Proceed to adjustment of the water stream height. (See next page.)

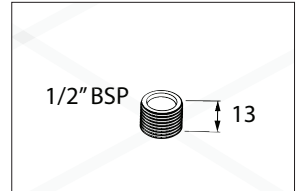


IMAGE 01

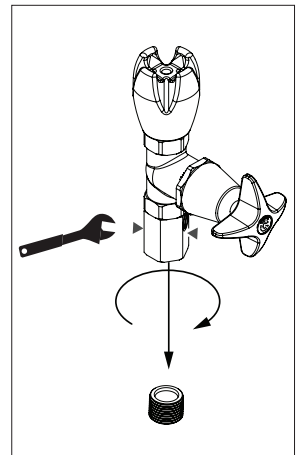


IMAGE 02

FLOW ADJUSTMENT

To adjust water stream height, firstly unscrew and remove the regulator cover cap using a flat head screw driver. (Note this is only a cover - the regulator screw is inside once the cover is removed.)

Secondly, locate the flow adjustment screw inside. Turn the spring action handle on full and while the water is running, adjust the screw - tighten (turn clockwise) to reduce the flow or loosen to increase the flow.

As a guide, the water stream height should clear the top of the guard by approximately 50mm.

Once the desired water stream height is achieved, put the regulator cover cap back on. **SEE IMAGES 03 & 04**

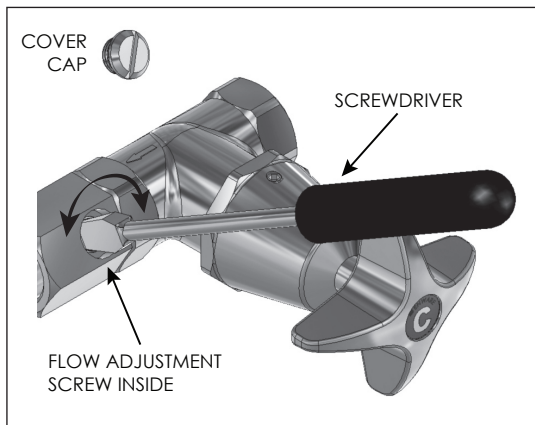


IMAGE 03

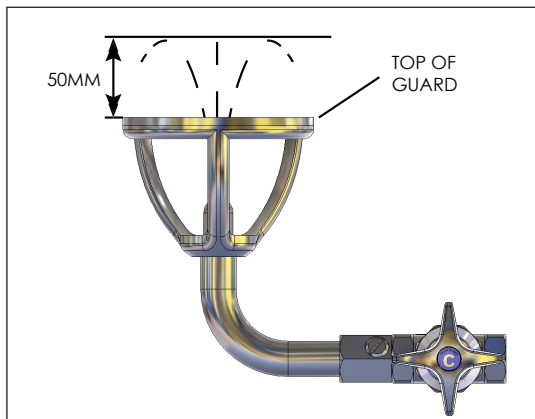


IMAGE 04

operation

CAM ACTION HANDLE

To turn on water flow, turn handle and hold.

To turn off water flow, let go of handle.

Water flow stops automatically.

(Handle can be turned either way until it reaches a stop.)

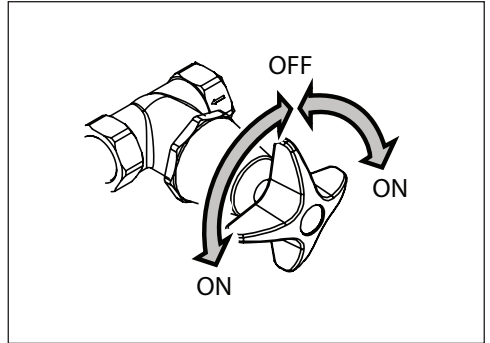
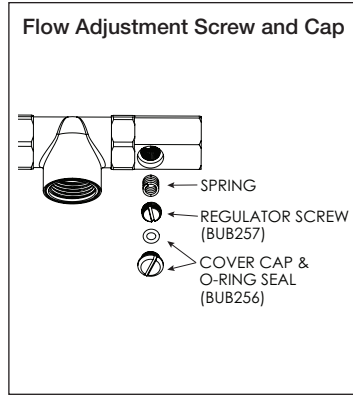
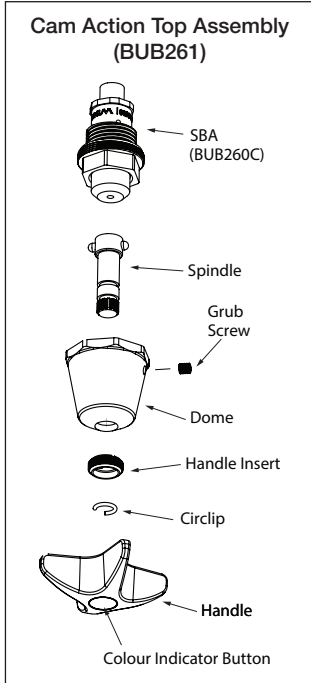


IMAGE 05

components & spare parts



PART	ENWARE SALES CODE
Cam action top assembly	BUB261
Cam action SBA	BUB260C
Cam action dome (with grub screw)	BUB221C
Cam action handle (incl. circlip, handle insert, blue colour indicator, Anti-Vandal handle key)	VP378
Anti-vandal handle key	MIS590
Spring action SBA service kit Includes 2x piston o-rings, 1x spring, 1x light spring, 1x ball bearing, 1x ball seating washer, 1x seat o-ring, 1x red fibre washer	BUB289
Colour indicator button (stick-on, Cold, Warm and Hot included)	MIS595RYB
Regulator cap	BUB256
Regulator screw	BUB257
Replacement bubbler rubber guard	BUB734

service & maintenance

DOMES ADJUSTMENT

Adjust the position of the dome if:

- there is play on the handle that needs to be adjusted;
- if the bubbler is not shutting off completely / water constantly running; or
- if there is no water flow

Adjust the dome by carrying out the following steps:

1. Using a 3/32" or 2.5mm Allen key, undo the grub screw located on the side of the dome cover near the hex.
2. Unscrew the dome from the SBA slowly. The water flow should stop.
3. Now this time, screw the dome into the SBA. Water should begin to flow from the outlet.
4. At this point, unscrew the dome just slightly by approx. 1/4 to 1/2 a turn - the water should stop flowing from the outlet. This is the ideal position of the dome.

If the dome is screwed in too far, the handle will push the SBA piston down and let water through constantly. If the dome is wound too far out, the handle will have too much play and will feel loose.

5. Once the correct dome position is achieved, install the grub screw ensuring it is tightened square against one of the SBA flats underneath to maximize vandal resistance.
6. Re-test the tap for correct operation.
7. If problems persist, refer to TROUBLESHOOTING.

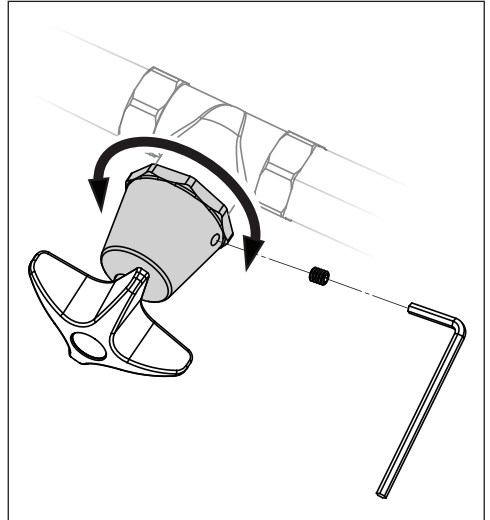


IMAGE 07

SPRING ACTION SBA

It is recommended that the spring action be periodically serviced. As a guide, every 6 months the spindle should be cleaned and re-greased, and the handle insert and other components checked for tightness. The servicing interval will vary depending on the frequency of use of the product, water quality and the general environment.

On Cam Action product it is recommended to periodically check that the handle insert is secure, by tightening with the Anti vandal handle spanner.

If the components inside the SBA are worn or damaged, replace the SBA or use the service kit to replace components.

REMOVING THE TOP ASSEMBLY TO ACCESS SBA, CLEANING & REFITTING

1. Using a 3/32" or 2.5mm Allen key undo the grub screw located near the hex of the dome.
2. Unscrew the dome from the SBA.
3. Remove any grease or scale build up in the dome and the top assembly components. Use a diluted solution of CLR for cleaning if necessary.
4. Refitting the top assembly: Grease the inside of the dome around spindle mechanism
5. Fit the dome and handle assembly.
6. Adjust the position of dome. SEE DOME ADJUSTMENT

CLEANING AND LUBRICATING THE SPINDLE

The spring action can be maintained by simply cleaning and lubricating the spindle (piston) using a silicon- based lubricant approved for potable water. This can be done without turning off the water supply.

1. Pull out the piston (the top part) of the SBA and wipe off any excess grease. SEE IMAGE NEXT PAGE
2. Clean the two small o-rings. Replace them if necessary, and re-grease them.
3. Push the piston back into the SBA.

REPLACING THE SBA

1. Shut off water supply and remove the top assembly.
2. Use a suitable spanner (26mm) and unscrew the SBA from the tap body. Make sure the seal o-ring is not left on the seat of the body and the old red fibre washer is also removed.
3. Replace with a new SBA.
4. Turn on water supply.
5. Depress the piston to start water flow. Release the piston to stop the flow and check for leakage. If a leak is present refer to Troubleshooting to identify cause of leakage and rectify before proceeding.

SERVICING THE SBA WITH SERVICE KIT

1. Pull the piston assembly out from the SBA and remove the 2 piston o-rings.
2. Use a spanner to unscrew bottom inlet port, remove spring and stainless steel ball in the port.
3. Insert a small screw driver in centre hole of the ball seating washer and remove the ball seating washer by levering it out.
4. Clean all brass and chrome components. Remove any debris or scale, especially on the piston, spindle and in the dome. Use a diluted solution of CLR for cleaning if necessary. Check all brass components for wear or damage.
5. Lightly grease the two small piston o-rings with a silicon based, potable water approved grease (e.g. Hydroseal Tap Lubricant or Molykote111) and fit the two o-rings to the piston.
6. Now reassemble the SBA with new components from Service Kit. Place the ball seating washer, ball and spring back in the bottom inlet port, and tighten up the bottom inlet port to the SBA. Refit the seat o-ring and seating washer. Push the piston into the SBA.

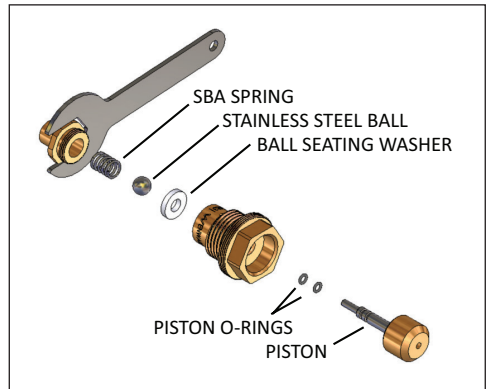


IMAGE 08

CAM HANDLE

If the handle feels loose, check that the handle insert is fitted, and tighten with the Anti Vandal Handle Key.

To take off handle, use the Anti-Vandal Handle Key to loosen the insert. Handle pulls off the spindle.

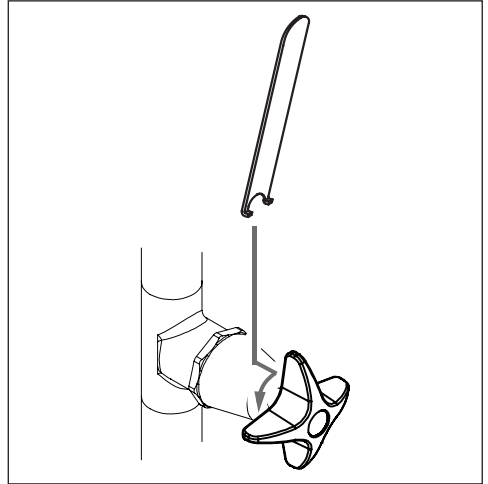


IMAGE 09

CLEANING

Enware product should be cleaned with a soft damp cloth using only mild liquid detergent or soap and water. Do not use cleaning agents containing a corrosive acid, scouring agent or solvent chemicals.

Do not use cream cleaners, as they are abrasive. Epoxy coated surfaces should only be cleaned with a cloth and clear water or mild detergent. Use of unsuitable cleaning agents may damage the surface. Any damage caused in this way will not be covered by warranty.

If re-greasing spindles, always use a silicon-based potable water approved lubricant such as Hydroseal 'O' Ring Lubricant or Molykote 111 silicone based grease.

troubleshooting

PROBLEM	CAUSE	RECTIFICATION
Water runs constantly from outlet	Dome screwed in too far	Adjust dome. See DOME ADJUSTMENT
	Dome incorrectly adjusted	Adjust dome. See DOME ADJUSTMENT
	Debris fouling ball seating washer or stainless steel ball	Dismantle SBA and clean
	SBA ball seating washer is damaged or spring is broken	Replace SBA components using SBA service kit BUB289, or replace SBA
No flow from outlet	Water supply turned off	Turn water on
	Debris fouling inlet or outlet ports of SBA	Remove SBA and remove blockage
	Rubbish/debris fouling outlet	Remove blockage from outlet
	Dome incorrectly adjusted	Adjust dome. See DOME ADJUSTMENT
Handle feels too loose	Dome screwed out too far Dome incorrectly adjusted	Adjust dome. See DOME ADJUSTMENT
	Handle insert is loose	Tighten handle insert with Anti-Vandal Handle Key
Spring action does not move	Piston in SBA is seized	Clean piston and piston o-rings, and re-grease. Use SBA service kit BUB289. (See service and maintenance)
Water discharge from top of dome/ SBA	Piston O-rings are worn	Replace O-rings using SBA service kit BUB289. Re-grease piston (See service and maintenance)
Fountain water stream too low or too high	Water supply conditions have changed or are fluctuating Incorrect flow adjustment	Check water supply pressure. Reset water stream height by adjusting flow adjustment screw – see Installation - FLOW ADJUSTMENT

product warranty statement - WATTS AUSTRALIA

Effective 27 October 2023

This Warranty Statement applies to products supplied by Australian Valve Group Pty Ltd (ACN 068 227 270) (**AVG**) or Enware Pty Ltd (ACN 662 302 767) (**Enware**) (each of AVG and Enware, a Supplier) and installed within Australia.

Subject to the terms and conditions outlined in this Warranty Statement, each Supplier warrants to its customers that a product supplied by it (**Product**) will be free from all defects in material and workmanship under normal usage for the applicable Warranty Period (as set out in the Warranty Table below). The Warranty Period commences from the date of delivery of the relevant Product.

1. Conditions

The warranty provided under this Warranty Statement will not apply in respect of a Product (or any Product defect, fault or resulting damage) if:

- (a) the Product is not installed and maintained in accordance with the requirements of the applicable laws, standards and codes (including, without limitation to, the National Construction Code Volume Three – Plumbing Code of Australia, associated reference standards as applicable at the time and AS/NZS 3500);
- (b) the Product is not installed and maintained by a qualified technician in accordance with the relevant installation and operation manual and instructions; and
- (c) any Product defect, faulty or resulting damage arises from:
 - (i) failure by you or any other person to follow the relevant manual or instructions (relating to the handling, storage, installation, fitting, connection, adjustment, maintenance or repair of the Product) published or provided by the Supplier;
 - (ii) failure by you or any other person responsible for the fitting, installation, or other work on the Product to follow or conform to applicable laws, standards and codes (including, without limitation to, the AS/NZ 3500 set of Standards, all applicable State and Territory Plumbing Codes, the Plumbing Code of Australia and directions and requirements of local and other statutory authorities);
 - (iii) any parts or components not manufactured by the Supplier (or otherwise not authorised by the Supplier) are installed or combined with the Product, without the prior authorisation of the Supplier; or
 - (iv) any act or circumstance beyond our control including, without limitation to, accident, abnormal use, vandalism, fouling caused by foreign material, damage from adverse water conditions, chemical, acts of God, damage to buildings, other structures and infrastructure and loss or damage during transit or transportation of the Product, or any abuse, misuse, misapplication, improper installation or connection, or improper maintenance or alteration of the Product.

2. Make a claim

To make a claim under this Warranty Statement, you must notify the relevant Supplier in writing within 7 days of any alleged defect in the Product coming to your attention and provide the Supplier with proof of your purchase of the Product to the relevant Supplier:

- (a) If the Product is supplied by **AVG**, please contact AVG by telephone at 1800 284 287, or by email via its online portal <https://www.wattsau.com.au/support>.
- (b) If the Product is supplied by **Enware**, please complete the Product Service Request form (ENF091), which is available on request from our office (see contact details below), or online via <https://www.enware.com.au/warranty-service-form/>. All notifications and accompanying forms must be sent to Enware marked for the attention of Enware, 9 Endeavour Road, Caringbah NSW 2229. Enware can also be contacted by telephone (1300 369 273) or by email (info@enware.com.au).

On receipt of a notification from you of a claim under this Warranty Statement, the relevant Supplier may contact you requesting you provide reasonably additional evidence, information or details about your claim, or requiring that the relevant Product should be returned to the Supplier (in accordance with the Supplier's instructions) for inspection and testing.

Your failure to comply with any such request within a reasonable amount of time may result in your claim under this Warranty Statement being rejected.

3. Our responsibilities

(a) In the event that the Supplier is reasonably satisfied that there is a defect in the relevant Product within the applicable Warranty Period, the Supplier will, at its option, replace the Product, supply an equivalent product or repair the Product, free of charge. Your costs in making a warranty claim under this Warranty Statement, including any costs in relation to freight, collection, delivery and installation, are to be borne and paid by you. However, if in respect of a Product, it is indicated in the Warranty Table that labour support will be provided, and the Supplier is reasonably satisfied that a defect in the Product takes place during the period that labour support will be provided as indicated in the Warranty Table, the Supplier will bear the costs for delivery, repair and installation of the replacement Product (as applicable).

(b) TO THE EXTENT PERMITTED BY LAW AND SUBJECT TO PARAGRAPH 4 BELOW AND THE OPERATION OF THE AUSTRALIAN CONSUMER LAW:

- (i) THE WARRANTY SET OUT IN THIS WARRANTY STATEMENT IS GIVEN EXPRESSLY AND IS THE ONLY WARRANTY GIVEN BY THE SUPPLIER WITH RESPECT TO THE RELEVANT PRODUCT;
- (ii) THE SUPPLIER MAKES NO OTHER WARRANTIES, EXPRESS OR IMPLIED;
- (iii) THE SUPPLIER HEREBY SPECIFICALLY DISCLAIMS ALL OTHER WARRANTIES, EXPRESS OR IMPLIED, INCLUDING BUT NOT LIMITED TO, THE IMPLIED WARRANTIES OF MERCHANTABILITY AND FITNESS FOR A PARTICULAR PURPOSE; AND
- (iv) THE REMEDY DESCRIBED IN THIS WARRANTY STATEMENT SHALL CONSTITUTE THE SOLE AND EXCLUSIVE REMEDY FOR BREACH OF WARRANTY, AND THE SUPPLIER SHALL NOT BE RESPONSIBLE FOR ANY INCIDENTAL, SPECIAL OR CONSEQUENTIAL DAMAGES, OR LOST PROFITS OR THE COST OF REPAIRING OR REPLACING OTHER PROPERTY WHICH IS DAMAGED IF THE PRODUCT DOES NOT WORK PROPERLY.

4. Australian Consumer Law

This paragraph 4 applies if you are a 'Consumer' (as defined in section 3 of the Australian Consumer Law (**ACL**)) and the Product or services supplied to you falls within the goods or services which, for the purposes of the ACL, are of a kind ordinarily acquired for personal, domestic or household use or consumption.

The Products and services provided by the Supplier come with guarantees that cannot be excluded under the ACL, and noting in this Warranty Statement should be interpreted as attempting to exclude, restrict or modify such guarantees or your rights under the ACL. For major failures with any services, you are entitled:

- (c) to cancel your service contract with us; and
- (d) to a refund for the unused portion, or to compensation for its reduced value.

You are also entitled to choose a refund or replacement for major failures with Products. If a failure with the Product or a service does not amount to a major failure, you are entitled to have the failure rectified in a reasonable time. If this is not done you are entitled to a refund for the Products and to cancel the contract for the service and obtain a refund of any unused portion. You are also entitled to be compensated for any other reasonably foreseeable loss or damage from a failure in the Products or service*.

5. Warranty table

*the applicable period commences on the date of purchase of the Product.

PRODUCT GROUP	PRODUCT SERIES CODES	WARRANTY PERIOD (YEARS)*	LABOUR SUPPORT (YEARS)
General Tapware, Spouts & Outlets-Chrome Plated	BUB (BUBBLERS, SPRING ACTION AND BOTTLE FILLERS)	10	2



1300 369 273
info@enware.com.au
enware.com.au