

# Electronic Time Flow Shower Mixer

## EMD815

This robust, low maintenance, vandal resistant shower mixer is ideal for use in public amenity facilities.

The sequential mixer cartridge provides a simple interface that allows the user to adjust the temperature while the shower is in use.

The latest piezo technology provides the facility managers with a high level of control over water usage as the run time is programmable and can be adjusted easily when required.



### KEY FEATURES

- Touch activated electronic piezo switch with no moving parts
- Temperature adjustment with lever handle
- Fully programmable piezo button and adjustable in situ - specify desired run time when ordering
- Supplied with 3mm stainless steel fascia plate and in wall mounting bracket
- 1/2" stainless steel solenoid valve
- 24V DC power pack with 4.5m cable
- Operating run time can be adjusted on site, from 3 seconds up to 10 minutes with optional time out between uses.  
Default setting is 4 minutes run time, with early stop function, and lock-out time of 30 seconds once stopped.

### PRODUCT CODES

EMD815

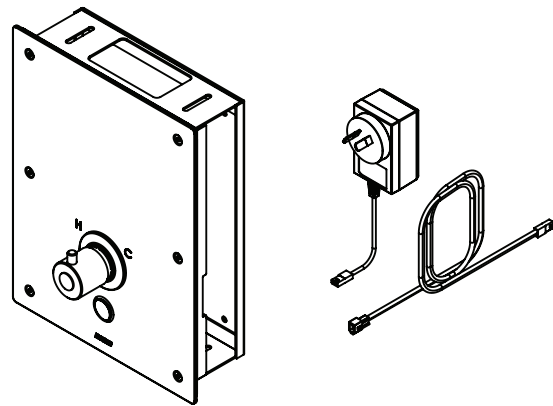
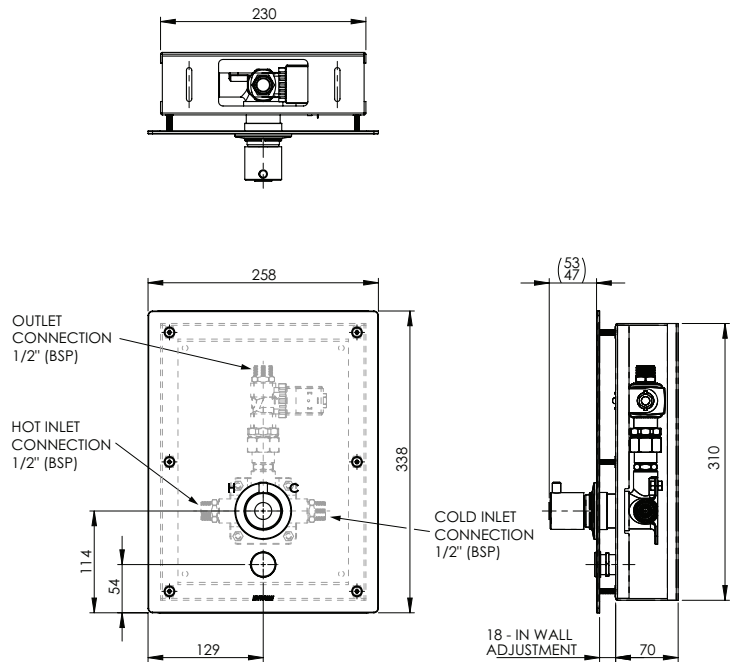
Electronic Time Flow Shower Mixer - Adjustable Timing

Version 2.0\_\_19Aug22

# Electronic Time Flow Shower Mixer

## TECHNICAL INFORMATION

Inlet Connection	15 mm (1/2") BSP
Recommended Working Pressure	50 - 500 kPa
Maximum Inlet Temperature*	70 °C
Operating Voltage/ Max. Current / Power Consumption	24V DC / 1.25A / Less than 10W
IP Protection Class - Piezo Button	IP68
Flow Time	Adjustable <ul style="list-style-type: none"> <li>• On Time: min 3 sec - max 10 minutes</li> <li>• Off Time (Lockout): min 0 sec - max 10 minutes</li> <li>• Early Stop function optional</li> <li>• 24 hr automatic flush function optional</li> </ul>



Enware products are to be installed in accordance with the Plumbing Code of Australia and AS/NZS3500. Reference should also be made to the Australasian Health facility Guidelines (AHFG), ABCB and Local Government regulations when considering the choice of, and the installation of these products.

Enware Australia advises:

1. Due to ongoing Research and Development, specifications may change without notice. 2. Component specifications may change on some export models. 3. Refer to warranty statement for warranty details - [www.enware.com.au/warranty](http://www.enware.com.au/warranty)

Version 2.0\_\_19Aug22